

## GEN-Mini-Plate

### General Information:

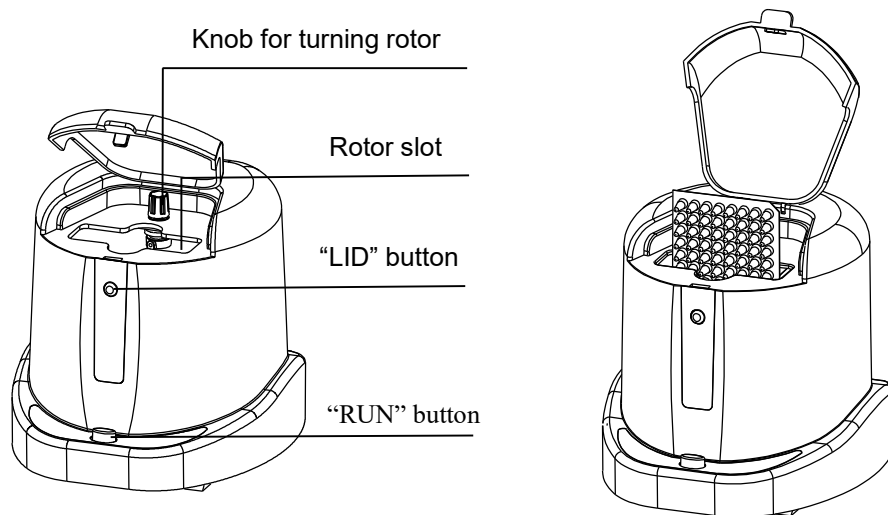
GEN-Mini-Plate is designed for quick spins of samples in PCR plates. Primarily designed for use with 96 or 384 well plates and small volumes, it will accommodate skirted, non skirted and semi skirted styles.

### Installation:

The GEN-Mini-Plate should be placed on a clean, flat surface with sufficient space around it for ventilation. Be sure that both the bench and the unit's rubber feet are clean. Plug the power cord into the back of the unit and the wall socket. Turn the power switch (on the back of the unit) to the "I" position.

### Operation:

To avoid spillage of samples, only plates that have been heat or tape sealed should be placed in the centrifuge. Plates are loaded into the rotor in a vertical position. Lift the clear centrifuge cover to gain access to the rotor (press the "LID" button to release the lid if it is locked down). Using the knob on the top of the unit, turn the rotor until the rotor slot lines up with the opening. Carefully, slide the first plate into position so that the sealed side faces the center of the rotor and the bottom of the plate faces out. Be sure that the plate is pushed all the way down into the slot. Line up the second slot like the first, using the knob on the top of the unit. Load the second plate in the same manner as the first one, making sure that it is all the way down in the rotor slot. If spinning only one plate, it is extremely important to load a dummy plate of the same brand, style and sample volumes (water can be used) as a balance. To begin a run, close the lid of the centrifuge, then press and hold the "RUN" button. Holding the button for approximately 15 seconds is sufficient to spin samples to the bottoms of the wells. Once the rotor has stopped, press the "LID" button to release the lid lock and open the lid. To access the plates, turn the knob on the top of the unit until the rotor slot lines up with the opening.



**Note:**

A slight vibration may be felt when the centrifuge reaches full speed. Excessive vibration indicates that the rotor is not balanced. DO NOT run the centrifuge unbalanced. Always use a balance plate of the same brand, type and sample volumes.

**Cleaning:**

The outside housing of the centrifuge may be wiped down with a clean, soft cloth. The rotor slots may be cleaned with a sponge. Do not pour liquids in or over the centrifuge. Do not immerse the centrifuge in liquid.

**Safety precautions:**

- NEVER** use the centrifuge in any manner not specified in these instructions.
- NEVER** put hands in the rotor area unless the rotor is completely stopped.
- NEVER** move the centrifuge while the rotor is spinning.
- NEVER** use solvents or flammables near this or other electrical equipment.
- NEVER** centrifuge flammable, explosive or corrosive materials.
- NEVER** centrifuge hazardous materials outside of a hood or proper containment facility.
- NEVER** continue to operate a centrifuge that is vibrating excessively.
- ALWAYS** load the rotor symmetrically. Each plate should be counterbalanced by another plate of the same brand, type and volume.
- ALWAYS** use plates that have been sealed in some manner to avoid spillage.
- ALWAYS** load plates so that the sealed side faces the center of the rotor slot and the bottom of the plate faces out.
- ALWAYS** be sure the plates are pushed all the way to the bottom of the rotor slot before operating the centrifuge.
- ALWAYS** locate the centrifuge within easy access to an electrical outlet.

**Specification:**

- Capacity.....2 PCR plates
- Dimensions.....220X190X186mm
- Electrical..... 120or230V, 50/60 HZ
- Max Speed.....2, 500 rpm
- Max RCF.....500 x g
- Electrical..... 120V~50/60HZ, 0.6A (FUSE 1.0AT)
- .....230V~50/60HZ, 0.3A (FUSE 0.5AT)